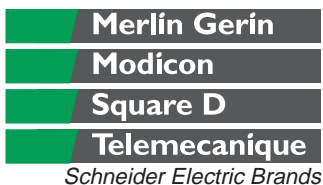


# How can you *make* *overload* protection logical?



**Motor Logic™**  
Solid State Overload Relays

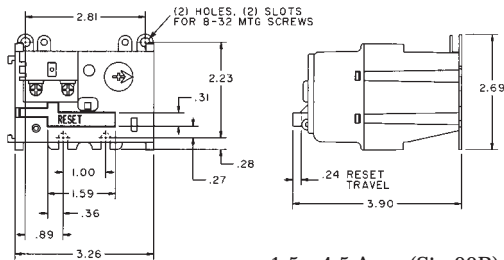


**SQUARE D**  
Schneider Electric

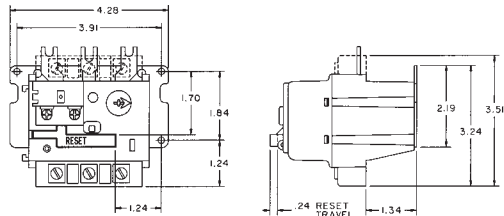
*Get more with the world's Power & Control specialist.*

# Motor Logic™ Specifications/Dimensions

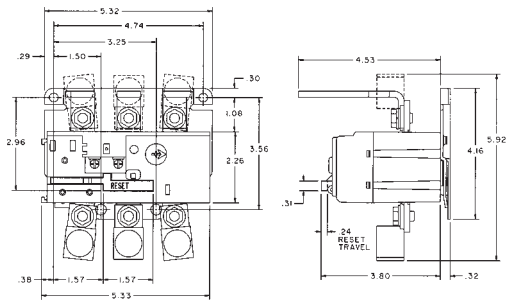
Dimensions (shown in inches)



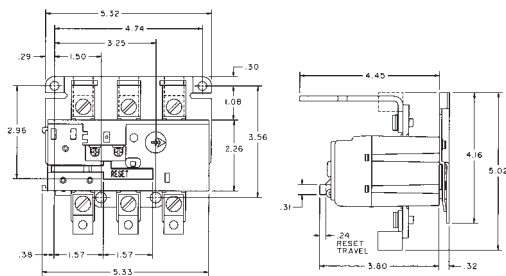
1.5 - 4.5 Amp (Size 00B)  
3 - 9 Amp (Size 00C)  
6 - 18 Amp (Size 0)  
9 - 27 Amp (Size 1)



15 - 45 Amp (Size 2)



30 - 90 Amp (Size 3)



45 - 135 Amp (Size 4)

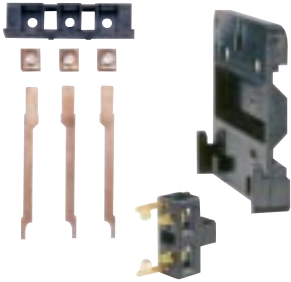
Current Ranges:	1.5 - 4.5A 3-9A, 6-18A, 9-27A, 15-45A, 30-90A, 45-135A, 90-270A 180-540A, 270-810A
Max. Power voltage:	600 VAC
Frequency:	50/60 Hz (48-62 Hz)
Control Voltage:	Self-powered
Trip Contact Ratings:	A600/P300
Temperature:	
Storage	-40° to 80°C (-40° to 176°F)
Operation	-25° to 70°C (-13° to 158°F)
Repeat Trip Time Accuracy:	±2%
Withstand Rating: (stand alone)	1.5 - 4.5A 3-9A, 6-18A, 9-27A, 15-45A, 30-90A, 5,000A 45-135A, 90-270A 180-540A, 270-810A 10,000A (RMS Symmetrical, 600V)
Power Wire Connection:	
1.5 - 4.5A	Thru hole device
3-9A	Thru hole device
6-18A	Thru hole device
9-27A	Thru hole device
15-45A	#14-4 AWG
30-90A	#14-1/0 AWG
45-135A	#8-250 MCM
90-270A	#4-500 MCM
180-540A	250-500 MCM (1 or 2 per phase)
270-810A	250-500 MCM (1 to 4 per phase)
Control Wire:	#16-12 AWG (two per terminal)
Standards Compliance:	UL Listed, CSA Certified, CE Marked
Lug Kit Power Wire:	
1.5 - 4.5A	#14-8 AWG
3-9A	#14-8 AWG
16-18A	#14-8 AWG
9-27A	#14-8 AWG
15-45A	#14-4 AWG
30-90A	#14-1/0 AWG
45-135A	#8 - 250 MCM
Din Adapter	35mm DIN Rail, 7.5mm track depth

# Motor Logic™ Solid State Overload Relay... The Logical Choice

Available factory installed as an option: FVNR starters, FVR starters, multi-speed starters (Class 8536, 8736, 8810), reduced voltage starters (Class 8606, 8630), and WELL-GUARD® Pump Panels (Class 8940). Separate mount available as Class 9065 Type SS and SF



Motor Logic™ solid state overload relays are available with a full range of accessories to meet most applications (Class 9999).



Motor Logic™ is available in rugged NEMA rated enclosures. (Class 8536, 8736, 8810)

## Features

- 3 phase, self-powered
- Current sensing
- Overload protection
- 3:1 current adjustment range
- No thermal units
- Phase unbalance and phase loss protection
- Standard trip contact (normally closed)
- Permanent adjustment dial tamper guard
- Easy retrofit of melting alloy and bimetal overload relays
- Trip free operation
- Visible trip indication
- Trip test function
- Ambient insensitive
- Self protected
- Power LED
- Harmonic insensitive
- Thermal memory

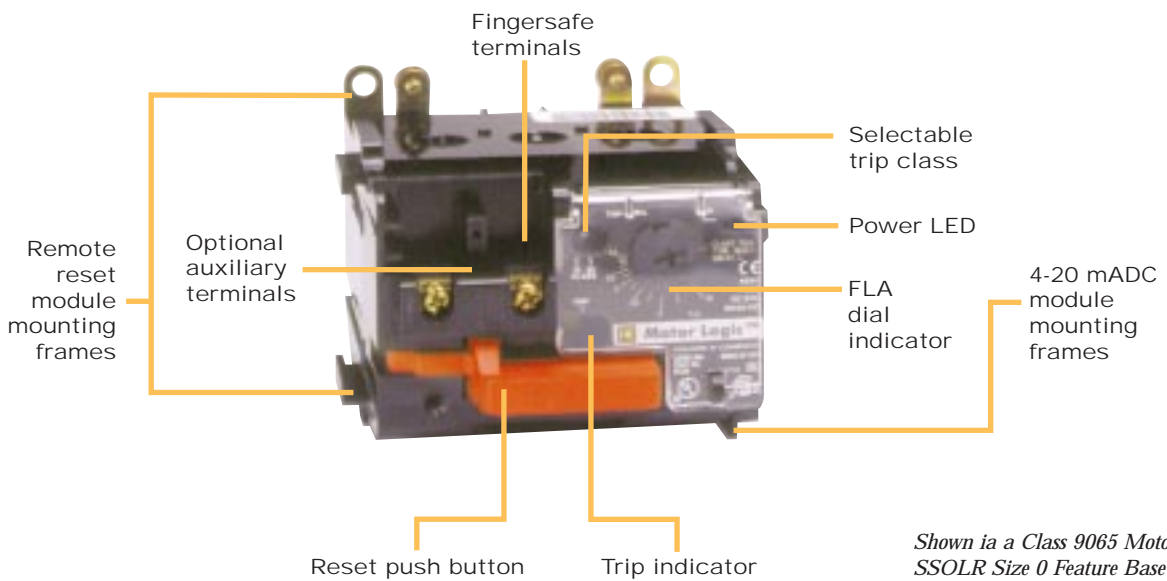
## Accessories

- Lug Extender kit (Sizes 00B, 00C, 0, and 1)
- Lug-Lug kits for separate mounting (Sizes 00B, 00C, 0, and 1)
- DIN mount adapter (Sizes 00B, 00C, 0, and 1)
- Electric remote reset
- Auxiliary contact mounts to Type SF or ST devices
- 4-20 mADC module (feature base only)

## Enclosure ratings

- NEMA 1, 4, 4X, & 12
- Available as an option for factory assembled Type S starters
- May be ordered separately for field installation or retrofit

Note: Lower current ranges may be accommodated with Sizes 00B, 00C, 0, and 1 devices by looping turns of motor lead wire through the CT windows. For further information on looping, consult your local SQUARE D sales office.



*Shown in a Class 9065 Motor Logic™  
SSOLR Size 0 Feature Base Unit*

# Motor Logic™ *Combination Starters*



MotorLogic™ is available in rugged and reliable SQUARE D Combination Starters. (Class 8538, 8539, 8738, 8739)

Available as an option

- Circuit breaker FVNR controllers
- Fusible switch FVNR controllers
- Circuit breaker FVR controller
- Fusible switch FVR controllers

Enclosure ratings

- NEMA 1, 4, 4X, 12

Withstand ratings

- Same as current offering (please see current SQUARE D Digest)



MotorLogic™ is available in SQUARE D Model 6 Motor Control Centers.

# Motor Logic™ *Motor Control Centers*

Available as an option in Model 6

- Circuit breaker FVNR controllers
- Fusible switch FVNR controllers
- Circuit breaker FVR controller
- Fusible switch FVR controllers
- Compact 6" Bucket

Withstand ratings

- Same as current offering (please see current SQUARE D Digest)

For further information, please reference the Model 6 pricing and selection guide or consult your local SQUARE D sales office.

From single products to complete systems, look to SQUARE D.

SQUARE D/Schneider Electric is a leading manufacturer and supplier of electrical distribution, automation and industrial control products. SQUARE D and TELEMECANIQUE brand products are available from an extensive network of SQUARE D distributors located throughout North America.

SQUARE D/Schneider Electric is part of Groupe Schneider, a \$12 billion global manufacturer of electrical distribution, automation and industrial control equipment.

SQUARE D has been serving industrial and construction markets, as well as public utilities, individual consumers and government agencies for over 90 years. We offer unsurpassed quality, innovative design and a committed staff of trained sales representatives and service technicians willing to stand behind every product we sell.

For further information on how we can help fill your electrical needs, call your local SQUARE D field representative or authorized **SQUARE D distributor**.



#### SQUARE D Type S Starters and Vacuum Contactors

The benchmark for NEMA style starters, the SQUARE D Type S provides rugged and reliable motor starting in a wide range of applications and voltages. Request document number 8536BR9101.

SQUARE D Type W Vacuum Contactors are rugged, compact and lightweight. They are designed to start and control three phase, 60/50 Hz AC motors in a wide range of voltages under harsh environmental conditions. Request document number 8502H09301.



#### IEC Contactors and Starters

TELEMECANIQUE D-Line (9-80 amps) and F-Line (105-1150 amps) IEC style contactors and starters from SQUARE D, provide compact motor starting reliability and global acceptance. Request document number 8502BR9201.



#### Integral Self-Protected Starters

TELEMECANIQUE Integral self-protected starters combine circuit breaker, contactor and dual function thermal overload relay for coordinated circuit protection. Integral starters are the only self-protected starters to have UL/CSA certification for Type 2 Coordinated Protection. Request document number 8539BR9201.

SQUARE D product literature may be ordered by calling the SQUARE D fulfillment center at 1-800-888-2448.

Visit the SQUARE D web site at [www.SquareD.com](http://www.SquareD.com)



**SQUARE D**  
Schneider Electric